

# 35MC Single Axle Motorcycle Trailer

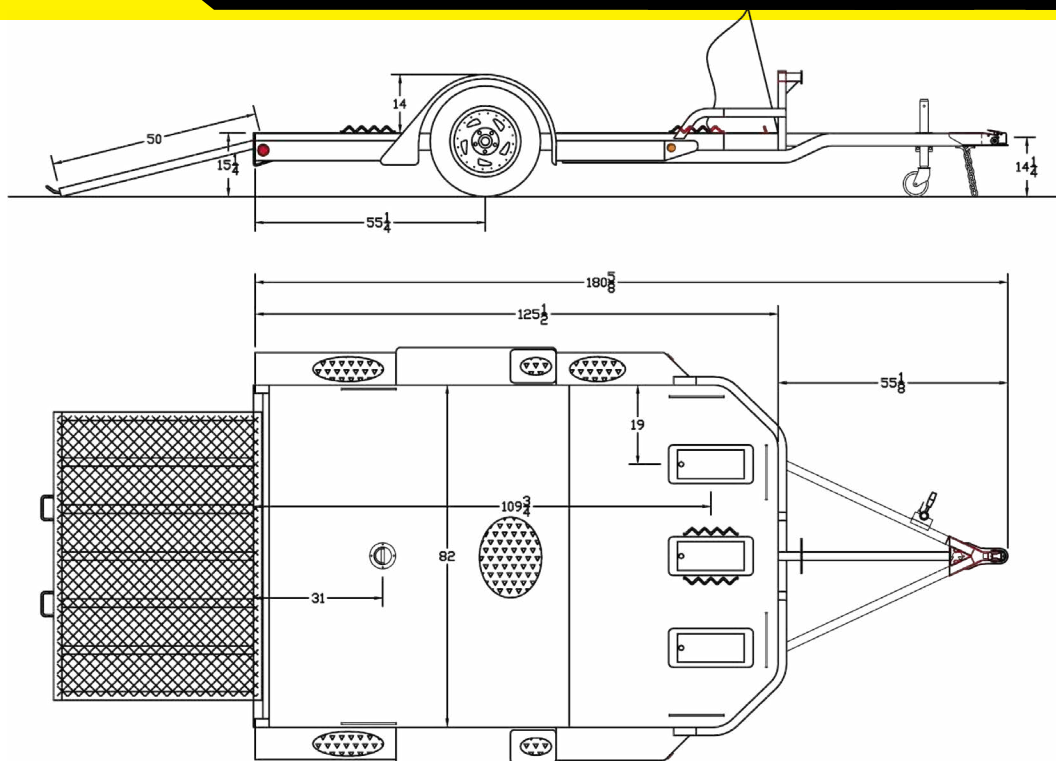
<b>G.V.W.R.</b>	2,995#	<b>Axle</b>	3,500# EZ Lube Axle w/ Brake Flanges
<b>G.A.W.R. (Ea. Axle)</b>	2,995#	<b>Supension</b>	Torsion
<b>COUPLER</b>	2" A-Frame	<b>Tire</b>	ST205/75R-15 Load Range C
<b>SAFETY CHAINS</b>	1/4" Grd. 30 w/ Safety Latch Hook (2 ea)	<b>Wheel</b>	15" x 5; Chrome Mod, 5 on 5 Bolt Pattern
<b>JACK</b>	2,000# Side Wind Fold Up w/ Caster	<b>Floor</b>	1/8" Diamond Plate Steel
<b>TONGUE</b>	3" x 2" Tube, Cold Formed	<b>Lights</b>	L.E.D. D.O.T. Stop, Tail, Turn & Clearance
<b>FRAME</b>	4" x 2" Tube	<b>Elec. Plug</b>	4-Way Flat w/ Loom
<b>CROSSMEMBERS</b>	3" x 2" x 3/16" Angle	<b>Finish (Prep)</b>	Steel is Cleaned to Ensure a Professional, Smooth Finish
<b>FENDERS</b>	"Chopper Inspired" Customer Contoured 9" x 32" Rolled Formed w/ Backs	<b>Finish</b>	Superior Quality Finish is Applied for a Highly Decorative and Protective Finish

\* Douglas Fir Available from Caldwell, ID Facility Only

## Standard Features

- Front & Rear Running Boards w/ Alum. Treadbite Inserts
- 1/8" Diamond Plate Steel Floor
- (3) 6-5/8" Wide, Flip-Up Recessed Wheel Chocks
- (6) Outer Tie Down Rails w/ Center D-Ring
- Grommet Mount Sealed Lighting
- Chrome Wheels w/ Chrome Caps & Lugs
- Front Spare Tire Mount
- Aluminum Treadbite Rock Guards on Fenders
- 50" x 69" Pull-Out Tubular Expanded Metal Ramp
- Radial Tires **NEW!**
- Brake Flanges on Axle for Easy Brake Addition
- Tubular Frame Construction
- EZ Lube Hubs
- Torflex Dexter Brand Axle
- L.E.D. Lighting Package
- 2,000# Fold Up Jack w/ Caster Wheel

## Description



Shown with Optional Contoured Steel Rockshield

# 35MC Single Axle Motorcycle Trailer ●



◆ Model	Weight*	Description
35MC-10	1,230#	82" x 10' Single Axle Motorcycle Trailer

\*Weights shown are for base models without options and are estimates only

## Optional Equipment

Category	Description
COUPLERS	2" Forged Coupler
BRAKES	Electric Brakes w/ Complete Brake-Away Kit
TIRE/WHEEL	Spare Tire & Wheel (ST205/75R-15 LR-C on Chrome)
CARGO CONTROL	Recessed D-Rings in Bed (Each)
CARGO CONTROL	A-Frame Tongue Box (Steel)
CARGO CONTROL	A-Frame Tongue Box (Aluminum Tread Brite)
ACCESSORIES	Front Rockshield (Steel)
ACCESSORIES	Front Rockshield (Aluminum Tread Brite)