

505R Single Axle Single Ram Dump

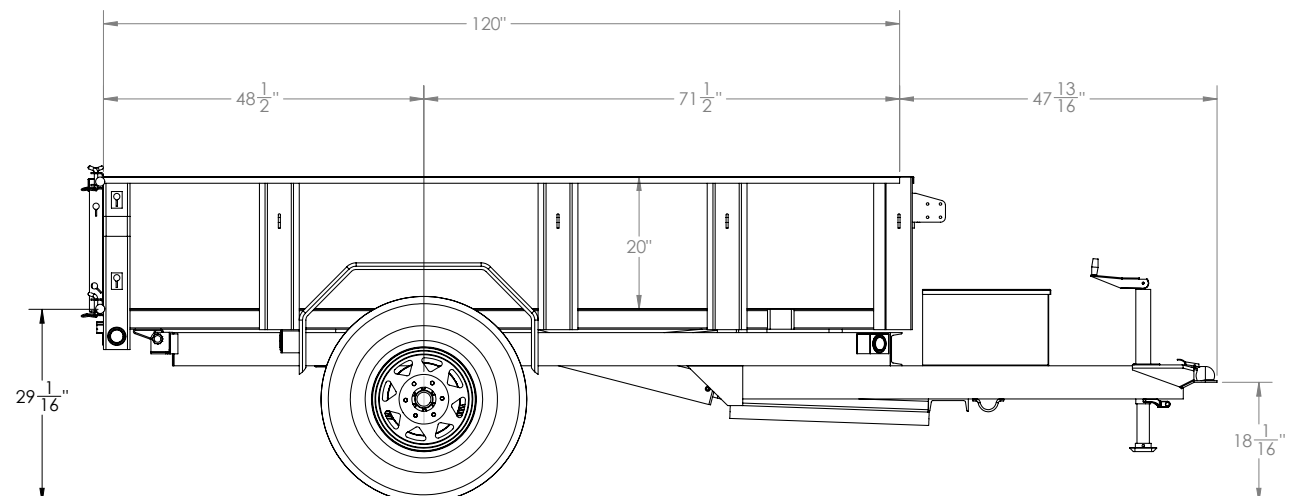
G.V.W.R.	5,000#	Axles	(1) 5,200# EZ Lube w/Elec. Brakes
G.A.W.R. (Ea. Axle)	5,080#	Supension	Multi-Leaf Spring w/Equalizer
Coupler	2-5/16" Stamped A-Frame	Tire	ST235/80 R-16 Load Range E
Safety Chains	1/4" Grd. 70 w/Safety Latch Hook (2 each)	Wheel	16" x 6"; White Spoke 6 Bolt
Jack	2,000# Top Wind (Bolted On)	Floor	16 Gauge Smooth Steel
Tongue	5" Channel	Lights	L.E.D. D.O.T. Stop, Tail, Turn & Clearance
Frame	5" Channel	Elec. Plug	7-Way RV
Crossmembers	6" Channel	Finish (Prep)	Steel is Cleaned to Ensure a Professional Smooth Finish.
Bed Crossmembers	2" Channel		
Bed Side Rails	3" x 2" Tubing	Finish	Superior Quality Finish is Applied for a Highly Decorative and Protective Finish.
Fenders	9" x 32" Double Square Broke Diamond Plate		

Standard Features

- Lockable Pump & Battery Box Mounted in Front of Bed
- 20", 16 Ga. Sides w/Formed Channel Supports
- J-Hooks for Tie Down
- Tarp Brackets
- Single Cylinder Lift
- 45 Degree Dump Angle
- Rear Spreader Gate
- EZ Lube Hubs
- Dexter Brand Axles
- Nev-R-Adjust Electric Brakes
- Cambered Axles
- Diamond Plate Fenders
- Grommet Mount Sealed Lighting
- L.E.D. Lighting Package
- Protected Wiring
- Removable Sand Foot on Jack
- Complete Break-A-Way System w/Charger
- Radial Tires **NEW!**

Description

Weights & Capacities			
Length	Empty Weight	Payload	Box Capacity
10'-5W	1,680#	3,320#	3.0 Cubic Yards



*Weights and cargo capacities shown are for base models without options and are estimates only

50SR Single Axle Single Ram Dump ●



Model	Weight*	Description
50SR-10-5W	1,680#	60" x 10' Single Axle Single Ram Dump

*Weights shown are for base models without options and are estimates only

Optional Equipment

Category	Description
TIRE/WHEEL	Spare Tire (ST235/80 R-16 LR-E)
BODY	Double Rear Doors in Lieu of Spreader Gate
CARGO CONTROL	Crank Style Roll Tarp

Economy Style Model - Limited Options, Black Only